

II M29 START C/2



TECHNICAL FEATURES:

2-group,
 semi-automatic
 shot dosing,
 automatic boiler fill,
 built-in volumetric pump,
 2 stainless steel steam arms,
 hot water tap with
 hot water economizer.



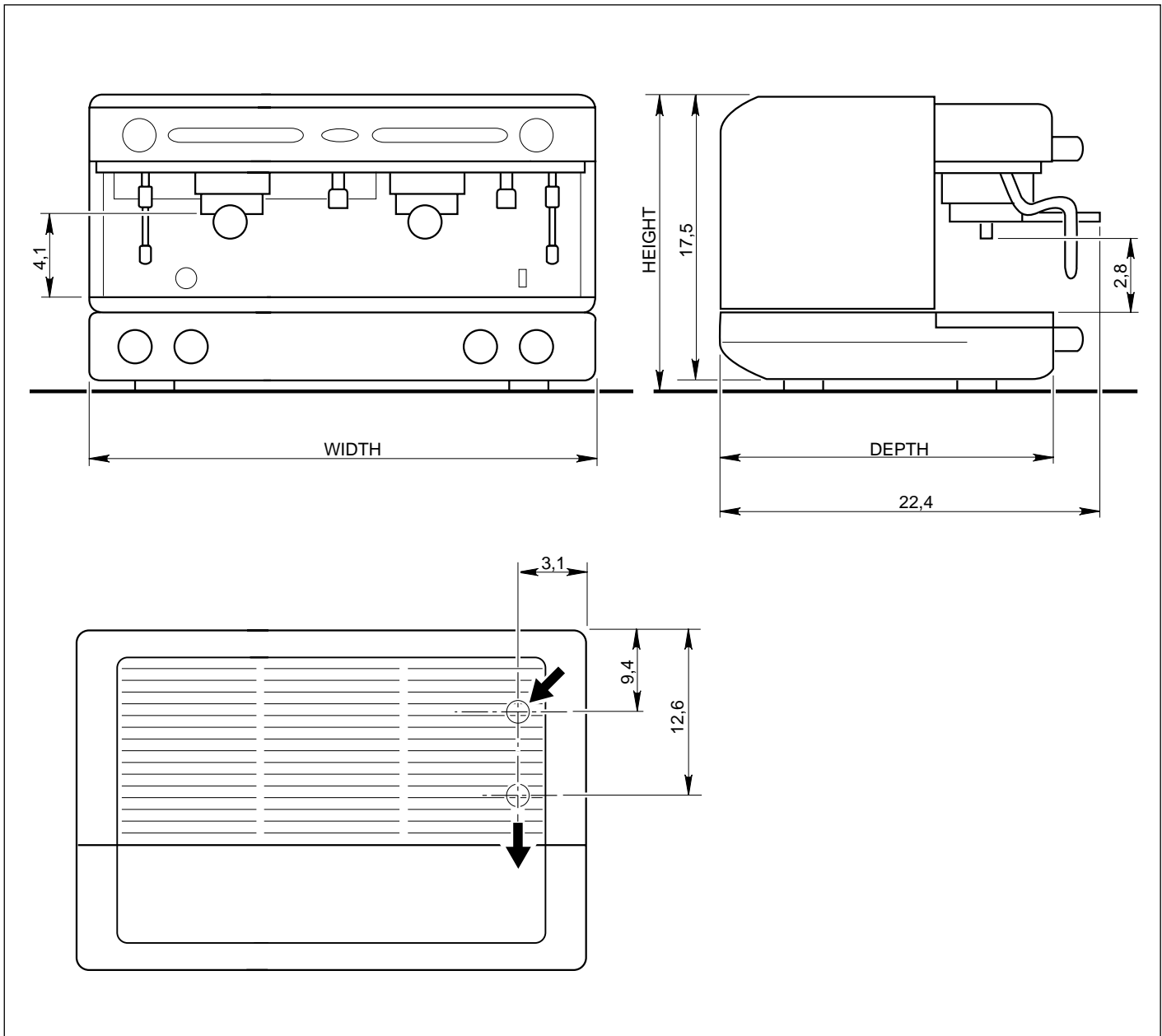
Since 1912 La Cimbali has been producing the world widest range of espresso coffee machines, from traditional to superautomatic models, in order to satisfy all its customers' needs. La Cimbali supplies a high quality pre- and after-the-sale service thanks to the high qualified job of its distributors, all trained at La Cimbali Training Centre in Italy, and all engaged in maintaining the most comprehensive consulting and training programs with their customers.

SERVINGS

Portion size	Your figures
Selling price
Less food cost
Profit
Multiply serving per day	X
Profit per day
Multiply days open per year	X
Profit per year

Please, use the above chart to check your own profit potential.

M29 START C/2



<p>Voltage: 208-240V Max Power: 2700-3600W 20 Amps single-phase</p>	<p>Width22.4 inches Height22.2 inches Depth20 inches Weight.....115 pounds Boiler capacity.....2.6 US gal.</p>	<p>2-group semi-automatic shot dosing, automatic boiler fill, built-in volumetric pump, 2 stainless steel steam arms, hot water tap with hot water economizer</p>
-----------------------------------------------------------------------------------------	------------------------------------------------------------------------------------------------------------------------------------------------------------	-----------------------------------------------------------------------------------------------------------------------------------------------------------------------------------



Via A. Manzoni, 17 • 20082 BINASCO (MI) • ITALY • Tel.: +39 02 90 04 91 • Fax: +39 02 90 54 818 • Toll Free: 1-800-7 CIMBALI
www.cimbali.it • E-mail: cimbali@cimbali.it

The manufacturer reserves the right to modify the appliances presented in this publication without notice.