

LA CIBALI JUNIOR S/1w/Tank • JUNIOR D/1 Dosed



TECHNICAL FEATURES

Junior S/1w/Tank:
 1-group,
 semi-automatic
 shot dosing,
 manual boiler fill,
 built-in 3.5 L water
 reservoir with built-in
 water softener (capable of
 portable operation
 without water connection),
 built-in vibration pump,
 1 stainless steel steam arm,
 hot water tap.

Junior D/1 Dosed:
 1-group,
 automatic shot dosing,
 automatic boiler fill,
 built-in vibration pump,
 1 stainless steel steam arm,
 hot water tap.



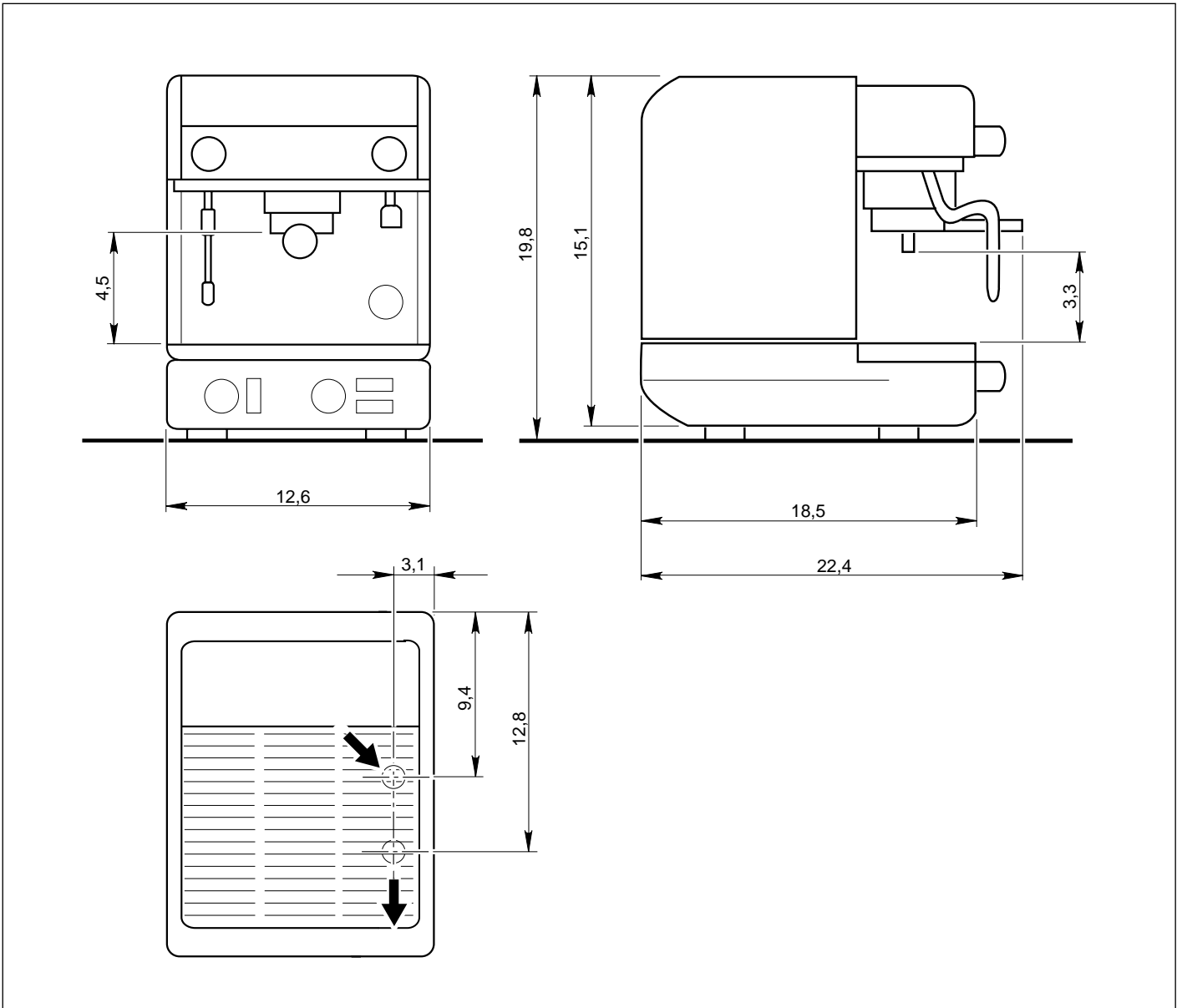
Since 1912 La Cimbali has been producing the world widest range of espresso coffee machines, from traditional to superautomatic models, in order to satisfy all its customers' needs. La Cimbali supplies a high quality pre- and after-the-sale service thanks to the high qualified job of its distributors, all trained at La Cimbali Training Centre in Italy, and all engaged in maintaining the most comprehensive consulting and training programs with their customers.

SERVINGS

Portion size	Your figures
Selling price
Less food cost
Profit
Multiply serving per day	X
Profit per day
Multiply days open per year	X
Profit per year

Please, use the above chart to check your own profit potential.

JUNIOR S/1w/Tank • JUNIOR D/1 Dosed



JUNIOR S/1w/Tank: 1-group semi-automatic shot dosing, manual boiler fill, built-in vibration pump, built-in water tank with built-in softener (when water connection is not possible or desired), 1 stainless steel steam arm, hot water tap.

JUNIOR S/1w/Tank	Voltage 120V	Max Power 1500W	15 Amps single- phase	Width 12.6 inches	Height 19.8 inches	Depth 18.5 inches	Weight 68 pounds	Boiler capacity 0.6 US gal.	Tank capacity 0.9 US gal.
------------------	-----------------	--------------------	-----------------------------	-------------------------	--------------------------	-------------------------	------------------------	-----------------------------------	---------------------------------

JUNIOR D/1 Dosed: 1-group automatic shot dosing, automatic boiler fill, built-in vibration pump, 1 stainless steel steam arm, hot water tap.

JUNIOR D/1 Dosed	Voltage 120V	Max Power 1500W	15 Amps single-phase	Width 12.6 inches	Height 19.8 inches	Depth 18.5 inches	Weight 68 pounds	Boiler capacity 0.6 US gal.
------------------	-----------------	--------------------	-------------------------	-------------------------	--------------------------	-------------------------	------------------------	-----------------------------------

LA CIBALI

Via A. Manzoni, 17 • 20082 BINASCO (MI) • ITALY • Tel.: +39 02 90 04 91 • Fax: +39 02 90 54 818 • Toll Free: 1-800-7 CIBALI
www.cimbali.it • E-mail: cimbali@cimbali.it

The manufacturer reserves the right to modify the appliances presented in this publication without notice.