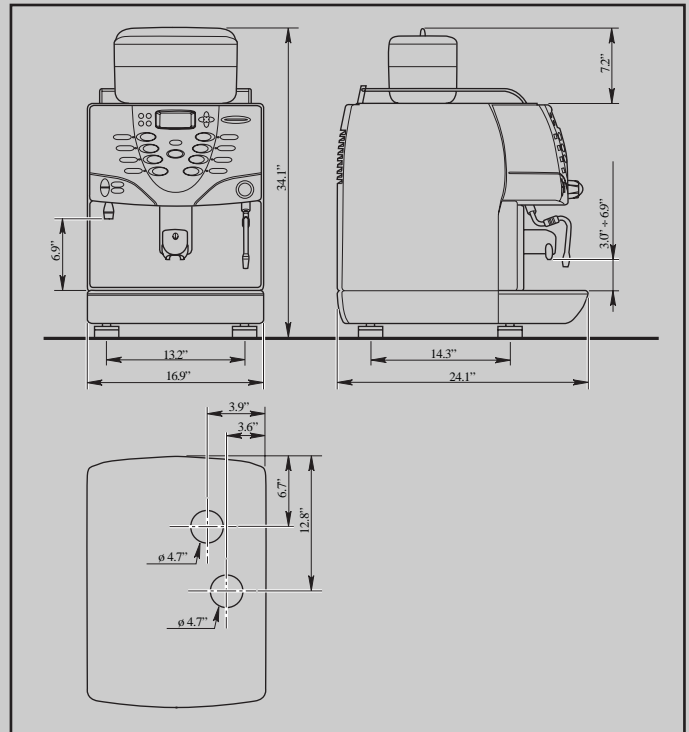


# IM2 BARSYSTEM



Espresso cups / h	200
Hot water cups / h	180
Liquid heating (gal / h)	11.2
Drink selections	8
Hot water selections	2
Turbosteam	Yes
Boilers	1
Hoppers	2
Hopper capacity (lb)	1.32 x 2
Grinders	2
Fast washing	Yes
Coffee circuit washing	Yes, with tablet



The manufacturer reserves the right to modify the appliances presented in this publication without notice



Dimensions (W - H - D)	Weight	Voltage	Power	Amps	Phase
16.9 x 34.1 x 24.1 in	143 lb	208 - 240 V	3400 - 4300 W	30 Amps	1

**LA CIMBALI**

www.cimbali.it - cimbali@cimbali.it  
1-800-7 CIMABLI